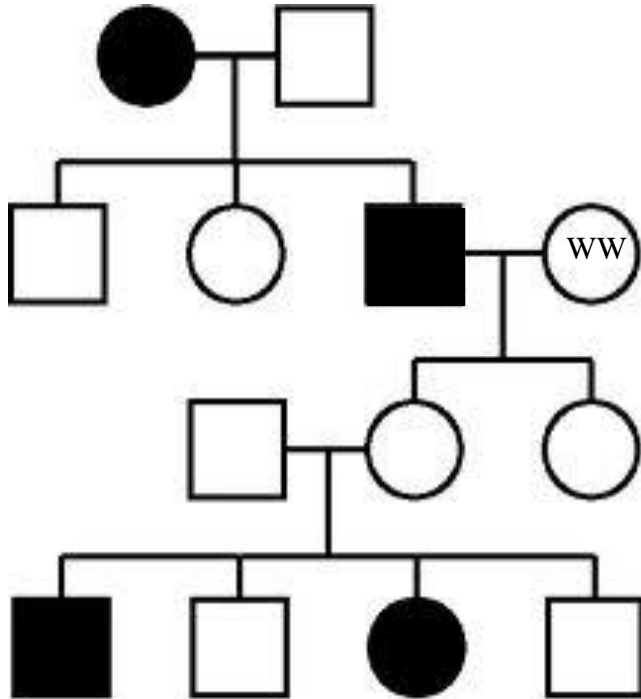
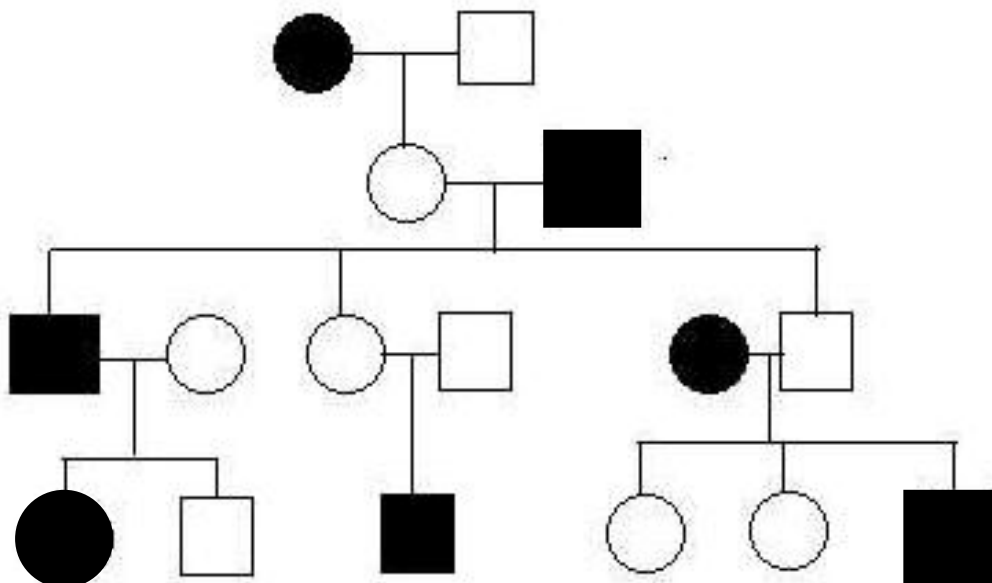


**Perplexing Pedigree Practice Problems for Performing Perfectionists.**

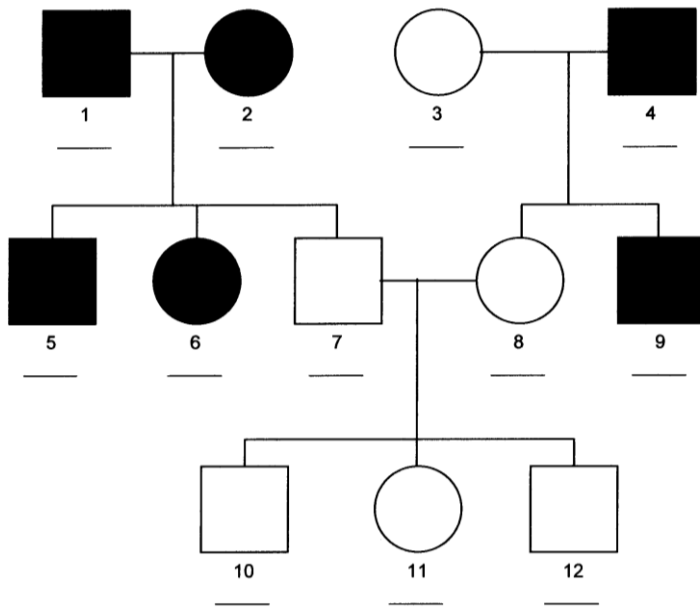
Complete the genotypes in the pedigree chart below for the tracking of webbed toes.



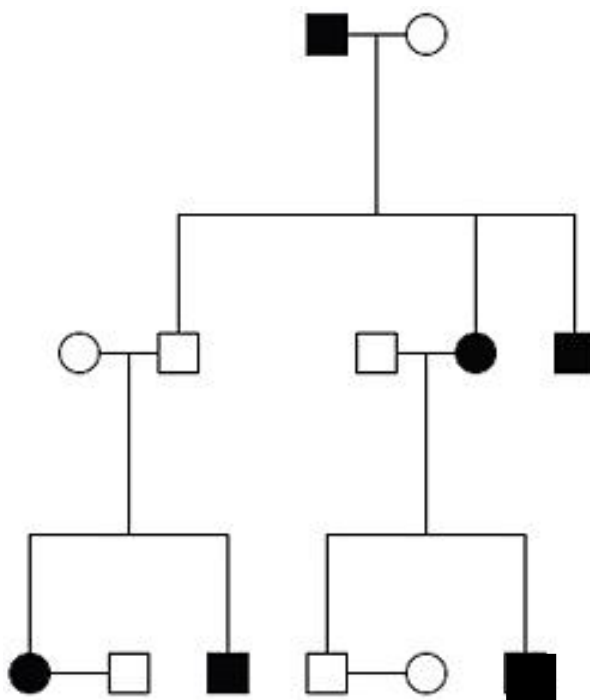
Determine which females must be carriers of the colour blindness disease in the below pedigree chart, which tracks colour blindness in a family.



Is the shaded characteristic in the pedigree chart below dominant or recessive? How can you tell?



Complete the pedigree chart genotypes based on your answer.  
It is not a sex linked disease.



And one more, for the tracking of blue eyes.